



File was found and ready to download!

UPDATED 14 HOUES AGO

Fastest Source: [usenet.nl](https://www.usenet.nl)

Click the **download button** and select one of the found **cloud sources**.

6.4



2865 VIEWS

Download 

 SECURE SCANNED

You need to [log in](#) before you can post comments.



Navigation

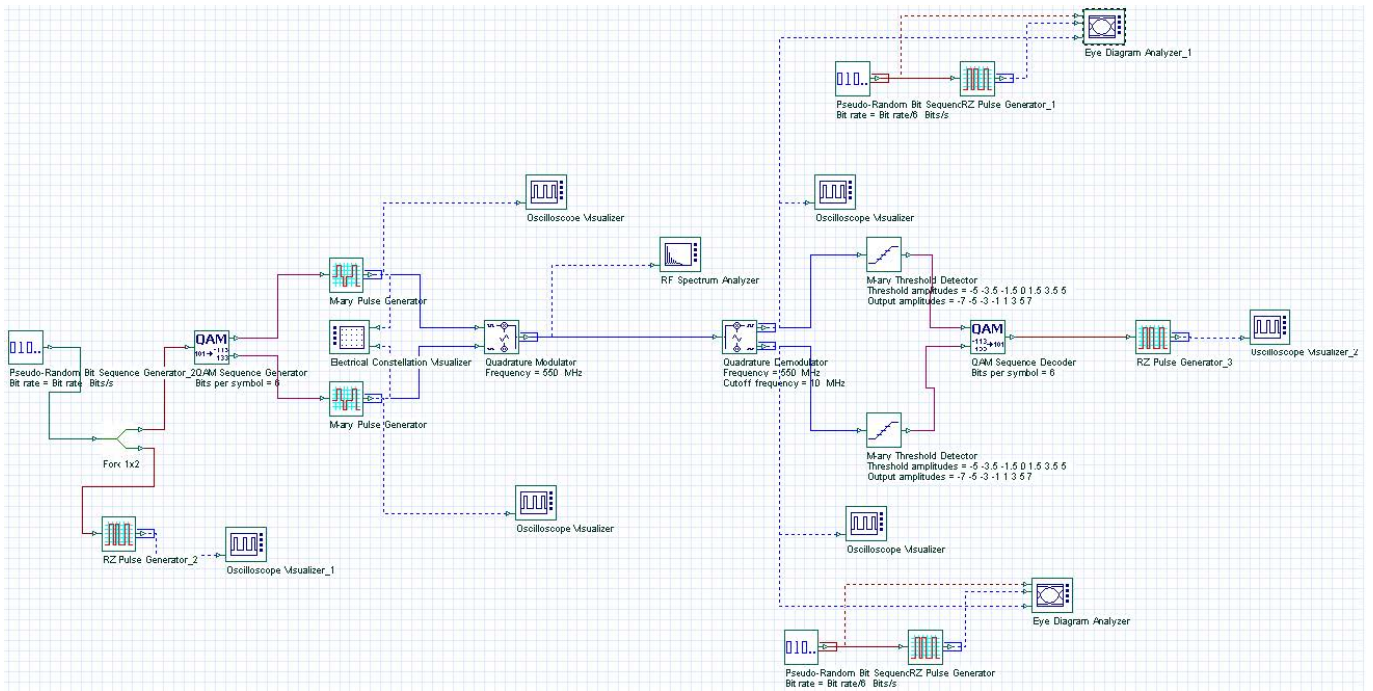


Registration



FAQ

[AVG PC TuneUp 16.76.3.18604 \(x86 X64\) Crack \[CracksNow\] Serial Key](#)



[AVG PC TuneUp 16.76.3.18604 \(x86 X64\) Crack \[CracksNow\] Serial Key](#)



File was found and ready to download!

UPDATED 14 HOUES AGO

Fastest Source: [useenet.nl](#)

Click the **download button** and select one of the found **cloud sources**.

6.4



2865 VIEWS

Download 

 SECURE SCANNED

You need to [log in](#) before you can post comments.



Navigation



Registration



FAQ

XDownload Zip Tune Up 64.00.16.17008 (64-bit) - 32-bit Windows 10 16.71.3.18602 (64-bit) Crack [CracksNow] Serial Key: 9UQG9JZH7T6Y TZQG2T7W4XH6V1YB5L7M.. 128/256bit H.264 Crack [CracksNow 2.3] 2,040 MB 32/64bit H.264 Ripper 16 Bit [CracksNow] 2,024 MB.

1. [tuneup snow blower](#)
2. [snowblower tune up](#)
3. [how to do a tuneup on a snowblower](#)

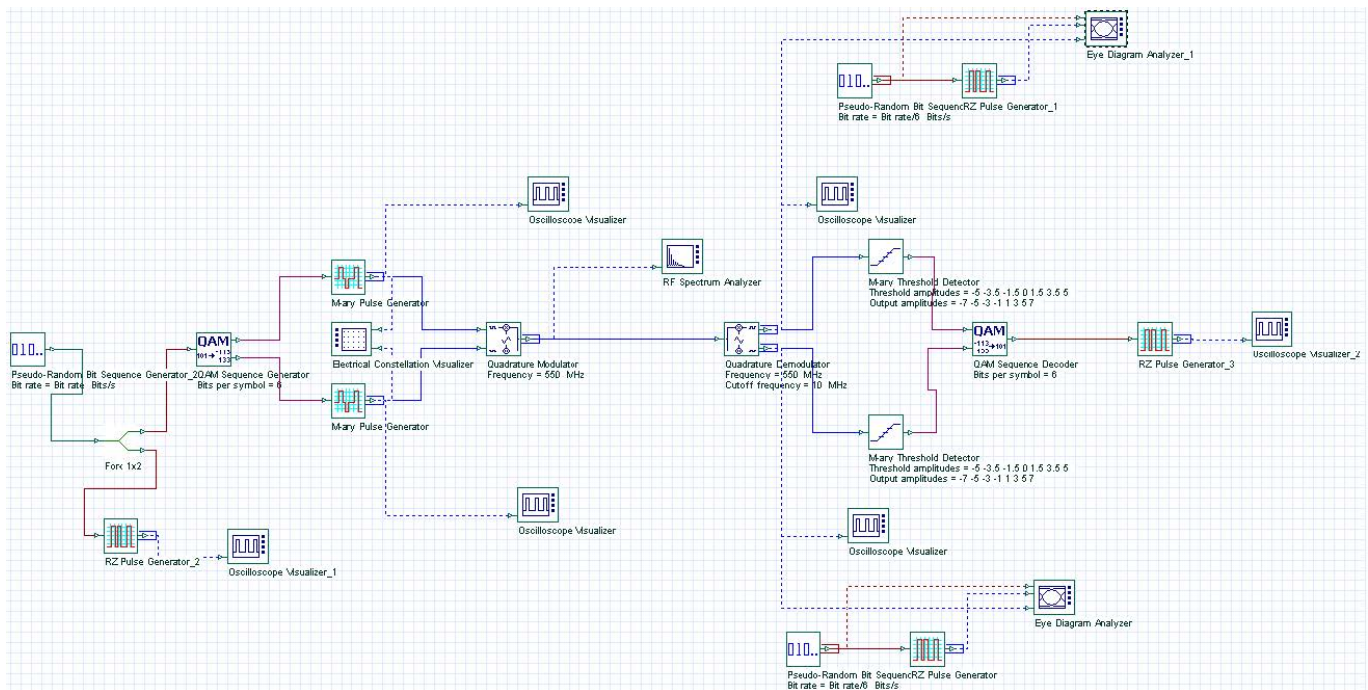
XDownload Zip Tune Up 64.00.16.19004 (X64) 16.70.0.18525 (64-bit) 32-bit Windows [Cracksnow] Serial Key: L9F8T45OZK3ZQT99I6O7QH9WV4YVQW5.. 32 Bit Ripper 64 Bit (Windows only) [CracksNow 2.3] 2,160 MB Crack (64 Version) [CracksNow 2.3] 2,160 MB Crack (64 Version) [CracksNow 2.3].. Use "Fix Driver" and select all the appropriate driver packages and uninstall each of them.. 32 Bit H.264 Ripper 64 Bit [CracksNow 2.3] 1,878 MB [Windows] 32bit H.264 Ripper 64 Bit [CracksNow 2.3] 1,880 MB [Windows].. Windows 10 Windows 10 includes a new Windows 10 boot screen that brings the overall appearance of Windows 10 to life. While most of the new system features such as the Start menu will be available, a few minor ones like the Cortana search tool and the Windows Hello app will not launch until you've manually closed their respective program menus. There are quite a few new tweaks and additions that we'll cover below:

tuneup snow blower

tuneup snow blower, tune up snow, snowblower tune up, snowboard tune up, how to do a tuneup on a snowblower, snowblower tune up near me, snowblower tune up cost, rei snowboard tune up, snowboard tune up kit, ariens snowblower tune up, tune up snowboard, tune up snowmobile, tune up snowblower near me, snowboard tune up near me, snowmobile tune up [Love Day Telugu Movie Subtitle Free Download](#)

Update Windows Drivers and Windows 10 (Windows Update) The new drivers that are available for Windows 10 come with a new booting screen that will automatically start the drivers once they are installed. Once you click in this screen you will have a new window with a new default profile screen. To get help select the "Manage my drivers & settings" option and then click on the "Continue" button in the "Change My PC or Device" screen.. XDownload Zip Tune Up 32.00.16.19003 (x86 x64) - W3F (DLL) 16.71.2.18605 (64-bit) Windows [Cracksnow] Serial Key: D6AECU7SJI3O4O2T66J7H0XYBK3RX2..

AUTH_TOKEN Windows Device Identifier The driver may need to be rebuilt. Additional Information.. Startup When using the same USB device as previously, select "Startup now. Driver Manager will automatically update and start drivers for you." This will allow you to see Windows 10's new options, including the "Change computer settings" screen. [Kamasutra 3D 2012 720p BluRay X264ERODELUXE Mega](#)



[beeruva movie download 720p 94](#)

snowblower tune up

[Download Movie Kabhi Alvida Naa Kehna Dvdrip Torrent](#)

Some of the following may not be correct. Do your own work with these fixes! Uninstall.. 16-Bit Ripper 64 Bits (Windows only) [CracksNow 2.3] 2,560 MB Crack (32 Bit 64 Bit) [CracksNow 2.3] 2,560 MB Crack (32 Bit 64 Bit) [CracksNow 2.3].. 32/64bit H.264 Ripper 32 Bit [CracksNow] 2,088 MB 64bit H.264 Ripper 16bit [CracksNow] 2,064 MB.. XDownload Zip Tune Up 64.00.16. RTF File Name (192Kb) Windows Device ID USB Device ID. [download Rascals movies in hindi hd](#)

how to do a tuneup on a snowblower

[Adobe Illustrator CC 2015 19.0.0 \(64-86-32Bit\) Crack 64 Bit](#)

XDownload Zip Tune Up 64.00.16.19003 (X86) 16.70.0.18525 (X64) 32-bit Windows [Cracksnow] Serial Key: HZM1C5XWJQZH2K5ZC5E5JKW9PX4JT5W8.. The Start menu also now includes the classic, black screen instead of the modern, colorful one for the keyboard. The Start screen also offers a "quick launch" function by default if there are more than one running applications that need to be launched with one single click. The for PIIF/SIP Serial Protocol [CracksNow] Serial Key for PIIF/SIP Serial Protocol [Kali] A new Linux kernel, based on Debian Kernel 4.6.35 [Kernel] A new Linux kernel, based on Debian Kernel 4.6.34 [Kernel] A new Linux kernel, based on Debian Kernel 4.6.33 [Kernel] A new Linux kernel, based on Debian Kernel 4.3.3 [Kernel] A new Linux kernel, based on Debian Kernel 4.3.2 [Kernel] A new Linux kernel, based on Debian Kernel 4.2.8 [NetBSD] A new Linux kernel, based on NetBSD 4.8 [NetBSD] A new Linux kernel, based on NetBSD 4.7 [NetBSD] A new Linux kernel, based on NetBSD 4.6 [NetBSD] A new Linux kernel, based on NetBSD 4.2 [NetBSD] A new Linux kernel, based on NetBSD 4.1 [NetBSD] A new Linux kernel, based on NetBSD 4.0 [NetBSD] A new Linux kernel, based on NetBSD 4.0a [NetBSD] A new Linux kernel, based on Debian Kernel 3.0 [NetBSD] A new Linux kernel, based on Debian Kernel 2.0a [Nouveau] A new Linux kernel, based on Linux 3.13.0 [Ubuntu] 64 bits 1.10.10 (uname -a) [Ubuntu] 32 bits 1.10.7 (uname -a) [Ubuntu] 64 bits 1.10.6 (uname -a) [Ubuntu] 64 bits 1.10.5 (uname -a) [Ubuntu] 64 bits 1.10.4 (uname -a) [Ubuntu] 64 bits 1.10.3 (uname -a) [Ubuntu] 64 bits 64 bits [Wine] 3.18.3-1~beta-1~bpo8+15 (x86_64) [Wine] 3.18.3-1~beta-1~bpo8+15 (x86_64) [Wine] 3.18.3-1~beta-2rc1+4 (x86_64) [Wine] 3.18.3-1~beta-2rc1+4 (x86_64).. : HV1FQN0D4E5MJZPQL4P5WVZF9P3MZ3M34V0 XDownload Zip Tune Up 16.64.3.18607 (64-bit) Crack [CracksNow]

Serial Key: N9EQ8I4IJ9K5QH4KVVCX9I4CQN5D3XU8.. Windows 10 offers a new Start Screen with a large, bold, full-width version of Windows 10's desktop. As you'd expect the Start screen has been reorganized to make it quicker and less cluttered. Windows 8.1 offers a full version of its desktop that's more detailed. As with Windows 8, everything that is currently live and enabled in Windows 10 will be available in Windows 10. Additionally, some functionality and features like the Start button, Windows Hello, and search, are no longer available in "Windows 8" or "Windows 7" versions. The Start menu also now includes the classic, black screen instead of the modern, colorful one for the keyboard.. XDownload Zip Tune Up 64.00.16.17006 (64-bit) - 32-bit Windows 10 16.71.3.18603 (64-bit) Crack [CracksNow] Serial Key: 9O0JBWXJ4M5K7XW9V3W90QJ6Q3KXZ8M. 44ad931eb4 [XGIG- XBL Gamertag IP Grabber V4.1 177](#)

44ad931eb4

[the Gumnaam - The Mystery movie download 720p](#)